

# Manual Supplement

Manual Title: TiR2, TiR3, TiR4, Ti40, Ti45, Ti50, Ti55 Users

Print Date: January 2007

Supplement Issue: 1

Revision/Date: 1, 8/07

Issue Date: 7/08

Page Count: 2

---

---

This supplement contains information necessary to ensure the accuracy of the above manual. This manual is distributed as an electronic manual on the following CD-ROM:

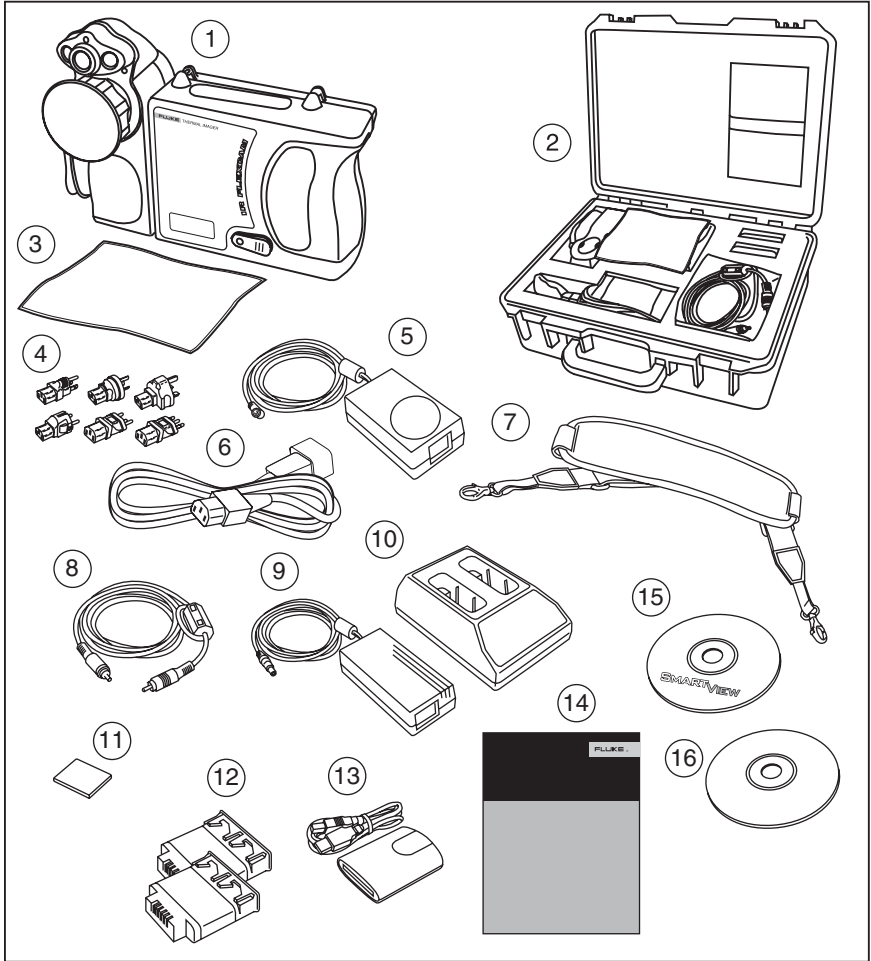
CD Title: TiR2, TiR3, TiR4, Ti40, Ti45, Ti50, Ti55

CD Rev. & Date: 1, 9/2007

CD PN: 2808421

# Change #1, 47356

On page 1-5, replace Figure 1 with the following;



On page 1-6, Table 1-1:

Change:

⑪	Compact Flash Memory Card with PCMCIA Adapter
---	---

To:

⑪	Compact Flash Memory Card
---	---------------------------

On pages D-5 and D-11, delete all occurrences of:  
PCMCIA Adapter

On page 1-7, under the Note, add the following:

*Note*

*Due to the thermal mass of the optional 54mm lens, a warm up time of approximately 30 minutes may be required for optimum temperature measurement accuracy.*

On pages D-3 and D-9, under Accuracy,

Change:  $\pm 2$  °C or  $\pm 2$  %

To:  $\pm 2$  °C or 2 %, whichever is greater

On pages D-4 and D-9,

Change:

Battery Operating Time	3 hours continuous operation
------------------------	------------------------------

To:

Battery Operating Time	2-3 hours continuous operation for typical use, per battery
------------------------	---

On page E1, under *Level 1 Thermography*, replace the sentence with the following:

One good way to begin learning the skills required to become a successful thermographer is to take a Level 1 thermography class.